

EarthWay EV-N-SPRED

ASSEMBLY and OPERATING INSTRUCTIONS
for EarthWay EV-N-SPRED®
C25HD & C25HDS
Tow Broadcast Spreaders rev 10-07

PLEASE CALL IF YOU ARE MISSING ANY PARTS, HAVE ANY DIFFICULTY IN ASSEMBLY, OR HAVE ANY QUESTIONS REGARDING THE SAFE OPERATION OF THIS SPREADER. THIS MODEL INCLUDES LIFETIME TECHNICAL SUPPORT.

SUPPORT HOT LINE: 574-848-7491 or 800-294-0671 EMAIL: support@earthway.com

HELPFUL HINTS: READ THE DIRECTIONS BEFORE ASSEMBLY

- * If your spreader does not spread evenly, be sure the FRONT on the gear box *toward the tow hitch*. The impeller must turn clockwise. Reversing the gearbox will cause the impeller to turn counter clockwise. Clean the impeller plate after each use. Fertilizer stuck on the impeller blades will cause uneven spreading.
- * Your spreader is designed to be towed at three miles per hour—maximum. Slower or faster speeds will change the spread patterns. Wet fertilizer will also change the spread pattern and flow rate. Clean and dry your spreader thoroughly after each use. Wash between the shut off plate and bottom of the hopper.
- * Gears are permanently lubricated at the factory. Do not open the gearbox or dirt may enter.

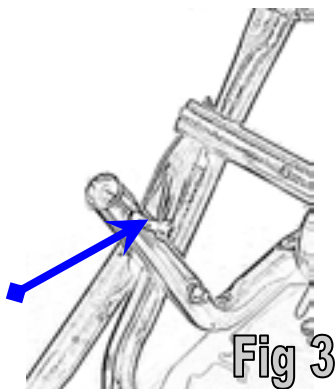
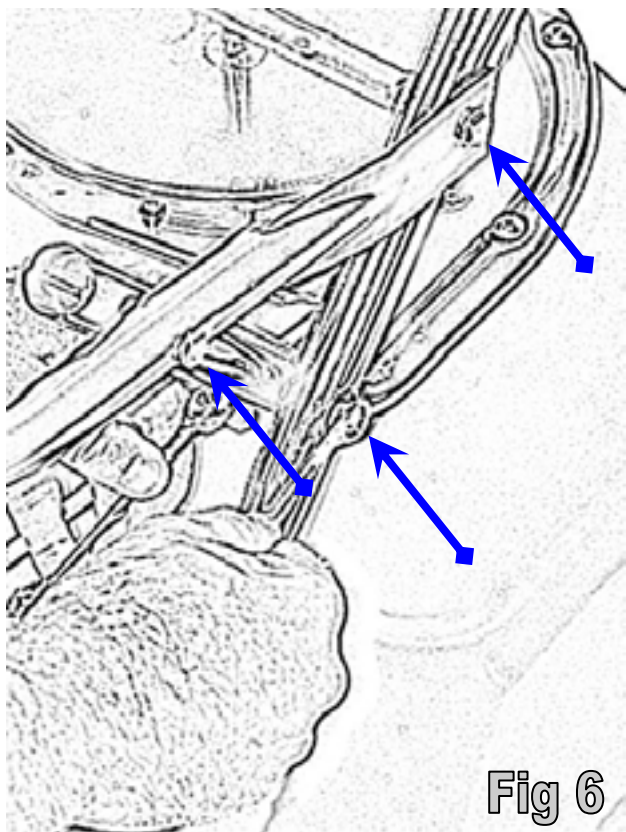
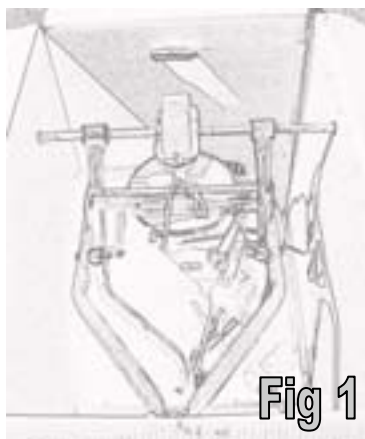
Your new spreader has been shipped semi-assembled resulting in easy assembly and a short time before it is ready for use. **Fig 1**

Assembly

Step 1: Remove your spreader from the shipping carton **Fig 2**.

Step 2: Remove the 2 bolts that are in the frame **Fig 3**, and then lift the tongue into position to allow the bolts just removed to go through the frame and the tongue as shown in **Fig 4**.

Step 3: Tighten the 2 bolts in **Fig 5**, then tighten all other frame bolts as seen in **Fig 6**.



EarthWay EV-N-SPRED

C25 Series

Tow Broadcast Spreader

Assembly/Owners Manual

Assembly continued

- Step 4:** Place the drive wheel (either wheel can be used) on the axle and secure with the long cotter pin and bend. (NOTE: Drive wheel side has the cross-hole in the axle closest to the frame as shown) **Fig 1**
- Step 5:** Place the coast wheel on the axle and secure with the short cotter pin and bend. (NOTE: Coast wheel side has the cross-hole in the axle closest to the end of the axle) **Fig 2**
- Step 6:** Turn the spreader over on to the wheels
- Step 7:** Remove the 2 bolts from the control support frame as shown, and then slide the control support between the support frame rails and re-insert the bolts and tighten. **Fig 3 & 4**
- Step 8:** Attach control linkage to control lever and linkage pivot as shown. **Fig 5**
- Step 9:** Install adjustable hitch. **Fig 6**

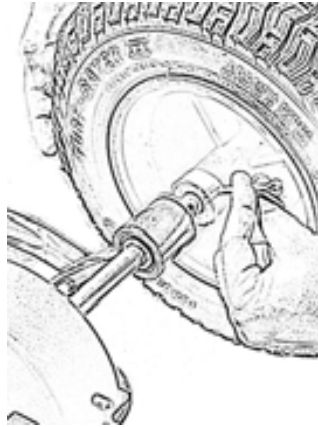


Fig 1

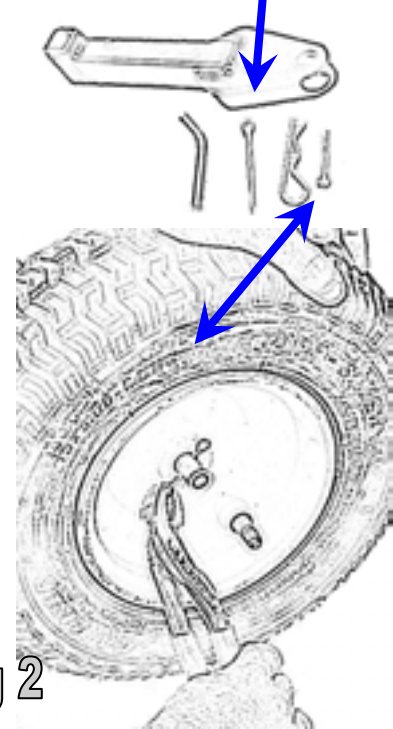
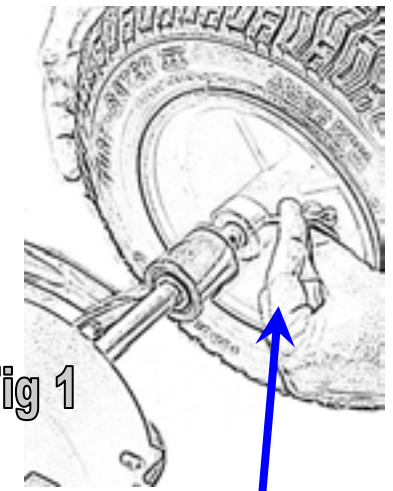


Fig 2

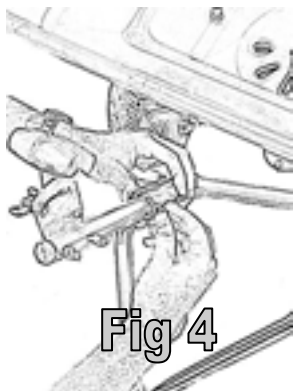


Fig 3

Fig 4



Fig 5



Fig 6

Step 11: Adjust hitch to level the spreader when attached to your tractor.

TIP: After your spreader is attached to your tractor and it is on a level surface, adjust the hitch so that the impeller is tipped up slightly at the rear for best performance.

Do not tow faster than 3 mph



EarthWay[®] EV-N-SPRED

C25 Series

Tow Broadcast Spreader

Assembly/Owners Manual

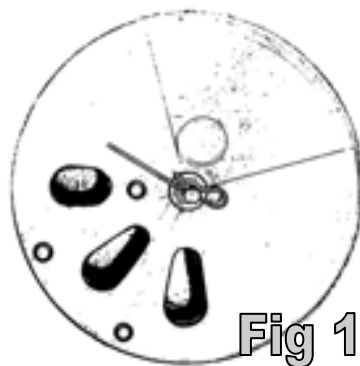


Fig 1

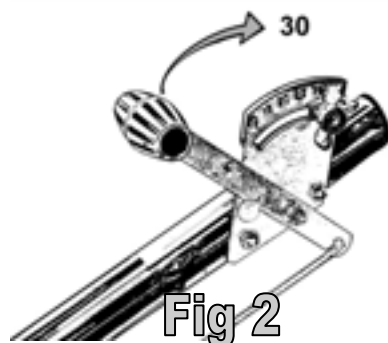


Fig 2

Calibrating your spreader:

To start your Calibration

1. Open shut-off fully so that the holes in the bottom of the hopper are open completely. **Fig 1**
2. Move the Rate Control Stop to #30 and tighten, then move the Rate Control Handle to #30. **Fig 2**
3. Adjust the nuts on the pivot to lock the calibration control rod into position. **Fig 3**

NOW YOU ARE NOW READY TO USE YOUR SPREADER.

The settings furnished on the Rate Setting Chart are intended as a guide only. Variations in physical characteristics of material applied, walking speed, and roughness of ground surface may require slightly different spreader settings.

Due to the above conditions, *EarthWay* PRODUCTS, INC. makes no warranty as to the uniformity of coverage actually obtained from the settings listed.

WARRANTY

EarthWay guarantees this product to be free of defects in original workmanship and materials for a period of 90-days from sale to the original user. If any defect develops during this period *EarthWay* will repair or replace this product at no charge provided the defect is not the result of mishandling or tampering and that this product is received at the factory with shipping charges prepaid. For quicker service you may call *EarthWay* at (574) 848-7491 & 800-294-0671 or write and describe the nature of the defect and we will send repair parts to you. Due to the corrosive nature of most fertilizers and ice melters, *EarthWay* PRODUCTS, INC. makes no warranty or guarantee against corrosion failure on models with plated steel or painted steel frames. Clean and dry your spreader well after each use. Warranty covers parts only, no labor charges.

DO NOT RETURN TO DEALER FOR REPAIR

Contact:

***EarthWay* PRODUCTS, INC.**

1009 Maple Street

P.O. Box 547

Bristol, IN 46507

FOR YOUR RECORDS

Date Purchased

Store Name

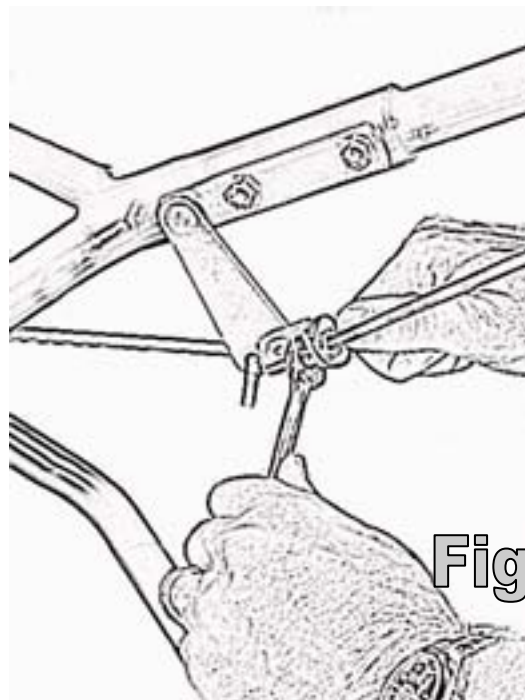


Fig 3

OPERATING INSTRUCTIONS

Before filling hopper, become familiar with the operation of this spreader and make sure the shut-off is closed completely.

1. Obtain proper setting for material to be used from the RATE SETTING MATRIX included with this spreader.
2. Move stop bolt on rate gauge assembly to the proper setting.
3. While pulling spreader forward, pull control lever forward to stop bolt.
4. To stop, push lever backward to close flow holes before you stop moving.
5. When finished, empty any remaining material from hopper.
6. Thoroughly wash spreader and allow to dry before storing. **No oiling is necessary.**

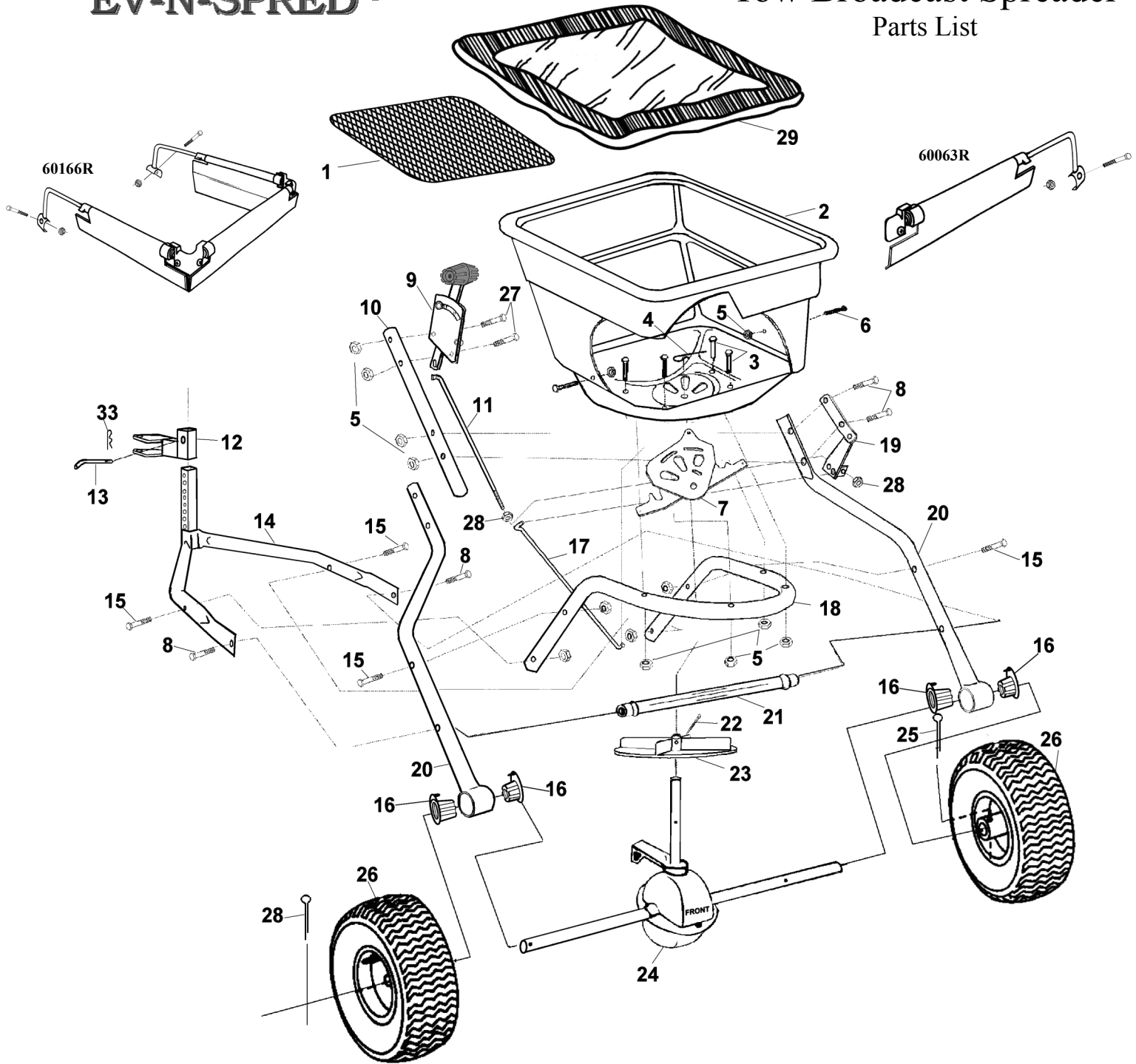
HOW TO ORDER SPARE PARTS

All spare parts listed herein may be ordered direct from the manufacturer, *EarthWay* PRODUCTS, INC.

Be sure to give the following information when ordering.

1. Model Number
2. Part Number
3. Part Description

Call (574) 848-7491 or 800-294-0671, or
email: support@earthway.com, write for current prices.



C25 Series Professional 100# Tow Broadcast Spreader

Key #	Part #	Description	Key #	Part #	Description	Key #	Part #	Description
1	40003	Screen	12	21555	Hitch Plate C25HDP	22	N/A	1/8" X 1 1/4" Cotter Pin
2	60219	Hopper Assembly, Includes Key #7	13	42251	Clevis pin	23	12109	Impellor
3	N/A	1/4-20 X 1 1/2" Screw	14	24213	Draw Bar C25HDS Stainless Steel	24	60309	Gear Box & Axle Assembly
4	33117	Agitator	14	25219	Draw Bar C25HDP	25	36103	3/16" X 2" Cotter Pin Stainless Steel
5	N/A	1/4-20 Nylon Insert Locknut	15	N/A	1/4-20 X 2 1/4" Bolt	26	19117	Drive Wheel/Coast Wheel
6	N/A	1/4-20 X 1" Bolt	16	12352	New Axle Bearing	27	N/A	1/4-20 X 1 1/2" Bolt
7	12278	New Pro Shut-Off Plate	17	44251	Pivot Rod	28	N/A	1/4-20 Hex Nut
8	N/A	1/4-20 X 2" Bolt	18	24111	Frame C25HDS Stainless Steel	29	77002	Optional Heavy Duty Cover
9	60298	Gauge & Lever Assembly	18	25115	Frame C25HDP	30	60166R	Optional Salt Deflector
10	24604	Control Support C25HDS	19	60300	Pivot & Bracket Assembly	31	60060R	Optional Rain Cover Side Deflector Kit
10	25607	Control Support C25HDP	20	24211	Lower Handle C25HDS Stainless Steel	32	60063R	Optional Side Deflector
11	42263	Control Rod Assembly	20	25218	Lower Handle C25HDP	33	36108	1/8" x 1 3/16" Hair Pin Clip Stainless Steel
12	42255	Hitch Plate C25HDS Stainless Steel	21	24701	Cross Brace			

N/A = Available a local hardware stores